

PCR Tubes

I. APPLICATIONS

1. Molecular biology
2. Cell centrifugation
3. Sample storage
4. Centrifugation of precipitates

II. FEATURES

1. Materials: Virgin polypropylene
2. Chemically resistant to alcohols and mild organic solvents
3. Transparent wall permits easy viewing of tube contents
4. Temperature range: stable from -20°C to 100°C
5. Tested to withstand centrifugation of 6,000 RCF in a fully supported rotor
6. Certified RNase & DNase Free
7. Extra transparent caps allow for RT-PCR applications

III. TUBE DESIGN

1. Available in 0.2ml version
2. Conical bottom design fits most standard floor model and table-top centrifuges
3. Thin walls to accelerate temperature transfer
4. Clearly visible with either clear or turbid samples
5. Available in five colors: clear, pink, green, blue and yellow

IV. CAP DESIGN

1. 0.2ml single PCR tubes
 - a) Available in flat-top design
 - b) Available in dome-shaped design
 - c) Available in five colors: clear, pink, green, blue and yellow

V. PACKAGING

1. 0.2ml single PCR tubes: 1,000 tubes/pack, 10 packs/case

VI. DESCRIPTION

Item	Description	Packaging	Sterile
60-0082	0.2ml single, Flat-top, Clear	1,000 tubes/pack, 10 packs/case	No
60-0182	0.2ml single, Flat-top, Pink	1,000 tubes/pack, 10 packs/case	No
60-0282	0.2ml single, Flat-top, Green	1,000 tubes/pack, 10 packs/case	No
60-0382	0.2ml single, Flat-top, Blue	1,000 tubes/pack, 10 packs/case	No
60-0482	0.2ml single, Flat-top, Yellow	1,000 tubes/pack, 10 packs/case	No

60-0002	0.2ml single, Dome cap, Clear	1,000 tubes/pack, 10 packs/case	No
60-0102	0.2ml single, Dome cap, Pink	1,000 tubes/pack, 10 packs/case	No
60-0202	0.2ml single, Dome cap, Green	1,000 tubes/pack, 10 packs/case	No
60-0302	0.2ml single, Dome cap, Blue	1,000 tubes/pack, 10 packs/case	No
60-0402	0.2ml single, Dome cap, Yellow	1,000 tubes/pack, 10 packs/case	No

VII. STERILITY

1. N/A

VIII. CERTIFICATION

Biologix products are manufactured completely according to the TUV ISO 9001:2015 standard.

IX. RESTRICTIONS

Refer to the Chemical Resistance Chart in our catalog, and available within our online catalog.

X. PRODUCT PHOTOS



60-0082

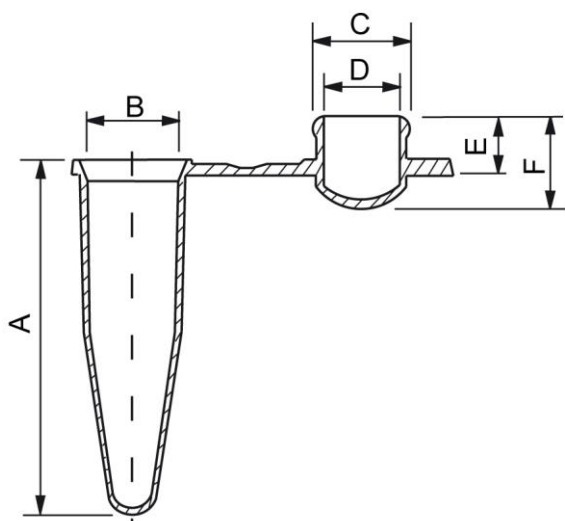


60-0002

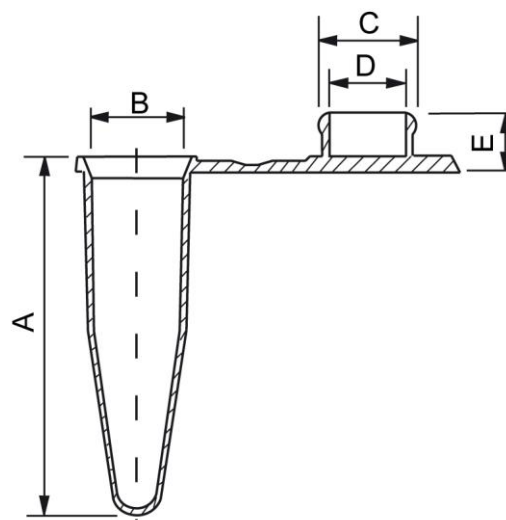
XI. PRODUCT PARAMETER

Dimensions=mm

Cat #	Description	A	B	C	D	E	F
60-0082	Tube	20.75	O.D. 5.43	O.D. 5.54	O.D. 4.57	3.38	-
60-0002	Tube	20.75	O.D. 5.43	O.D. 5.54	O.D. 4.57	3.38	5.38



60-0002



60-0082