

Product Name:	Cell Culture Flask	
Product Application:	<p>Googlab cell culture flasks are an ideal solution for enhanced cell attachment and growth of a variety of primary cells and transformed cells in serum free or serum-containing cultures.</p> <p>These flasks are available as tissue culture treated or non-treated as well as with a vent cap or plug seal cap to meet your requirements.</p>	
Product Materials:	PS (body) + PP (cap) Meets USP, Class VI standards	
Product Specifications:	<p>Temperature range: stored at room temperature Shelf life: 3 Years after date of production (ensure package is in good).</p>	
Sterilization:	Yes. Sterilized by E-beam, Sterility Assurance Level: SAL=10 ⁻⁶ . The product has been irradiated and dosimetrically released based on ANSI/AAMI/ISO 11137.	
Pyrogens:	Non-Pyrogenic	
RNase/DNase:	DNase/RNase free	
BSE/TSE:	These products are deemed animal free.	
Performance Testing:	<p>Each manufacturing lot is sampled and tested in accordance with standard operating procedures.</p> <p>Appearance inspection: qualified Particle Test: qualified Hydrophilic test: qualified Cell culture test: qualified Packaging inspection: qualified</p>	
Features:	<ol style="list-style-type: none"> 1. High clarity medical grade polystyrene material. 2. Two types of cap style: vent caps & plug seal cap. 3. Vent caps with 0.22um hydrophobic filters for gas exchange without contamination. 4. TC treated: Vacuum Plasma tissue culture treatment, excellent cell adherence. 5. Multiple size options: cell growth areas ranging from 25cm² to 225cm² are available. 6. A brand new specification, T150 U-Shaped Canted Neck Cell Culture Flask: <ul style="list-style-type: none"> • Without influencing the regular usage, the bottleneck is enlarged, allowing the pipettes or cell scrapers to reach every corner of the flask freely and flexibly. • The bottleneck is enlarged to the size of the large mouth of NEST BioFactory, facilitating accessories' matching and offering better tubes' connection and closed transfer. • The unique U-shaped body is easier to hold and enhances the utilization rate of the bottom. • The membrane area of vent cap is enlarged for better permeability. 	

Warehouse in Europe

GenoPlast Biotech S.A.
Street. Brzozowa 8
83-200 Rokocin
Poland

E-mail: office@genoplast.com

Warehouse in the USA

GoogLab Scientific USA LLC
969 2nd Street SE
Charlottesville, VA 22902

E-mail: office@googlab.com

Features:

- 7. Frosted marking area on the side and clear graduations for volume observation.
- 8. Notched bottom for slip free stacking.
- 9. Packaged in sterile, zip-sealable bags.
- 10. Clear lot number for batch traceability.

Product Range:

Cell Culture Flasks

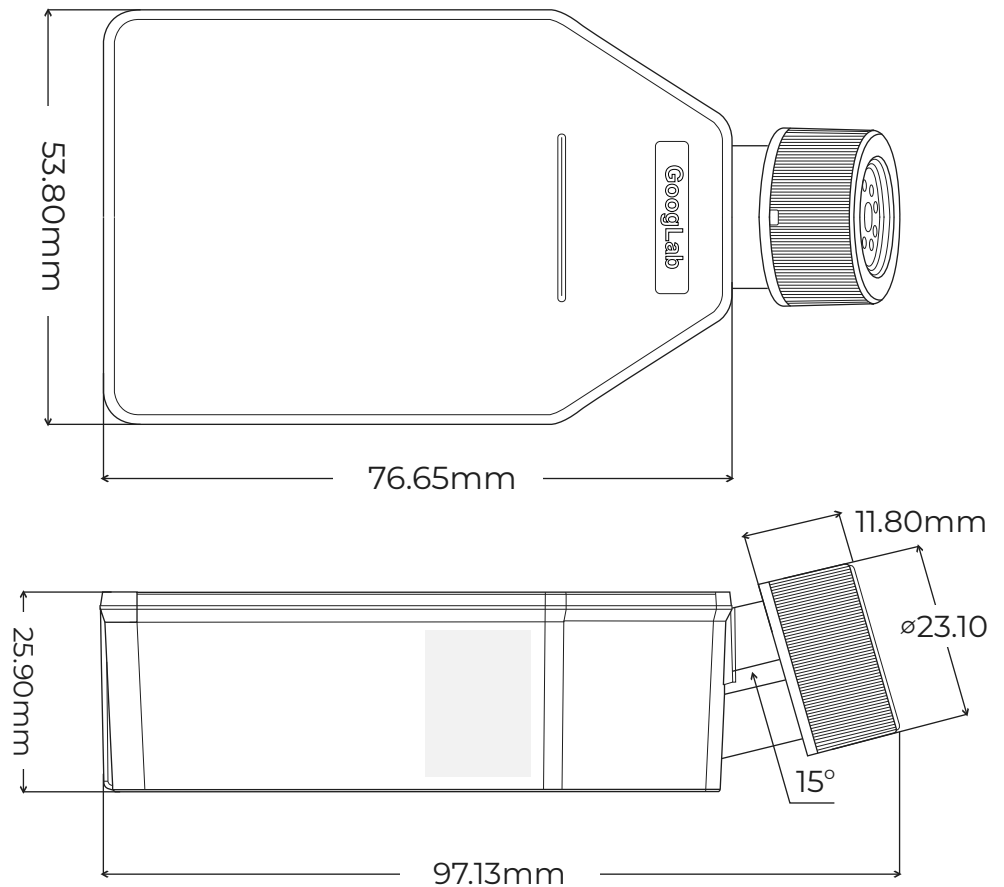
SKU	Cell Growth Area(cm ²)	Cap Style	Volume (ml)	Recommended Medium Volume (ml)	Pack	Case
G77070033	25cm ²	Vent Cap	50ml	5-7.5ml	10x20pcs.	200pcs.
G77080033	75cm ²	Vent Cap	250ml	15-22.5ml	20x5pcs.	100pcs.
G77090033	175cm ²	Vent Cap	750ml	35-52.5ml	8x5pcs.	40pcs

Technical Drawing:

Cell Culture Flasks

G77070033

• 25cm²



Warehouse in Europe

GenoPlast Biotech S.A.
Street. Brzozowa 8
83-200 Rokocin
Poland

E-mail: office@genoplast.com

Warehouse in the USA

GoogLab Scientific USA LLC
969 2nd Street SE
Charlottesville, VA 22902

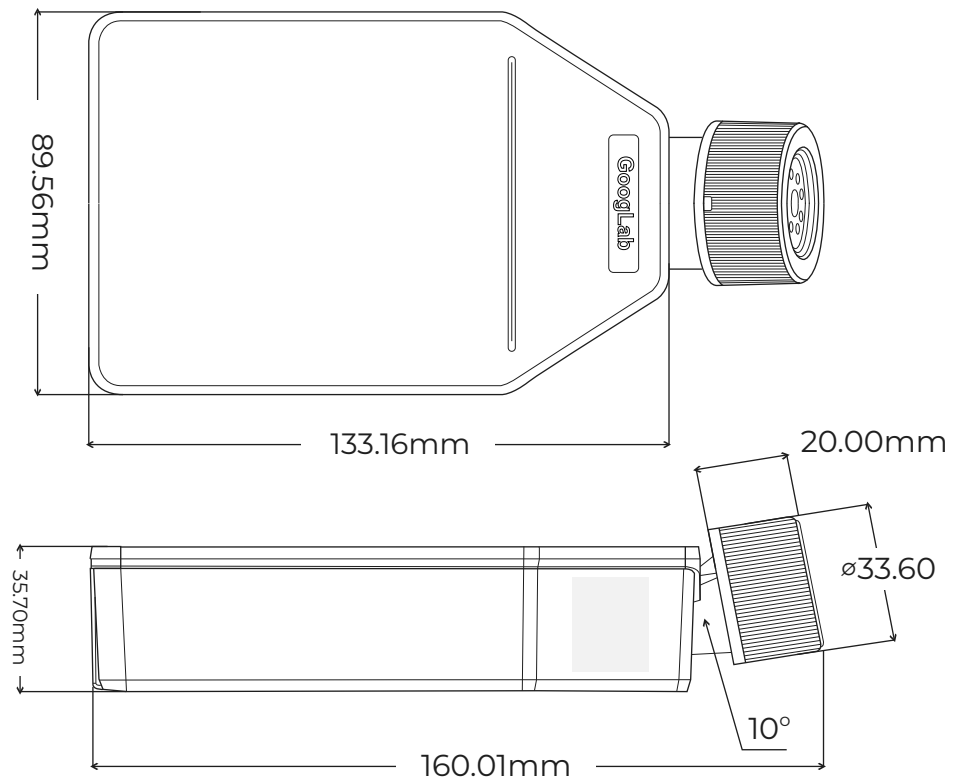
E-mail: office@googlab.com

Technical Drawing:

Cell Culture Flasks

G77080033

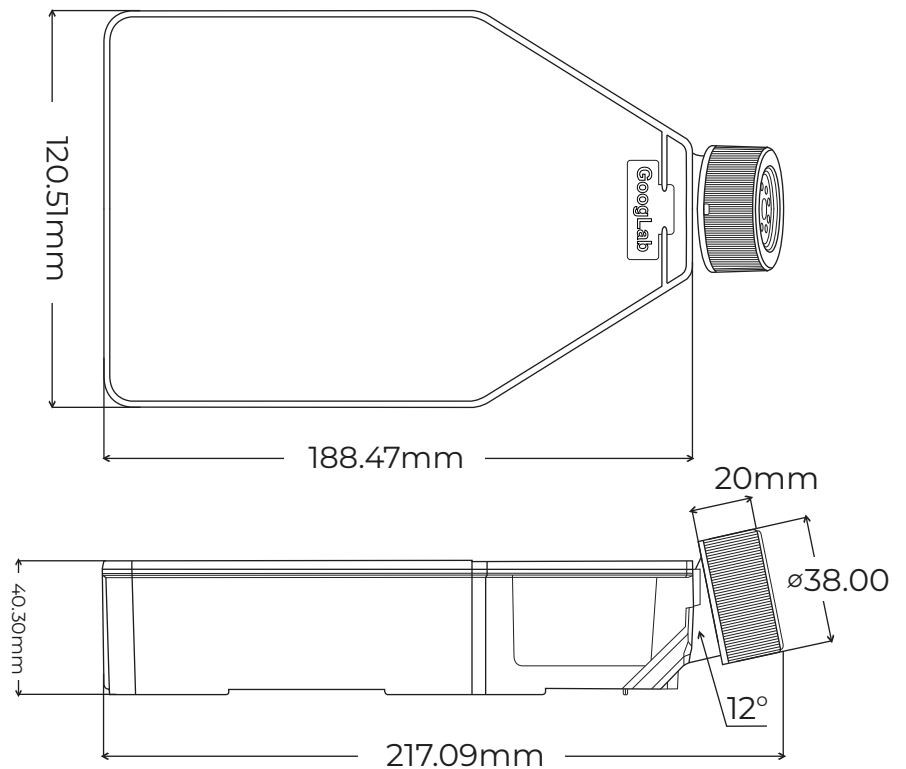
• **75cm²**



Cell Culture Flasks

G77090033

• **175cm²**



Warehouse in Europe

GenoPlast Biotech S.A.
Street. Brzozowa 8
83-200 Rokocin
Poland

E-mail: office@genoplast.com

Warehouse in the USA

GoogLab Scientific USA LLC
969 2nd Street SE
Charlottesville, VA 22902

E-mail: office@googlab.com